

DEEPLADE HAPLOGROUP TESTS

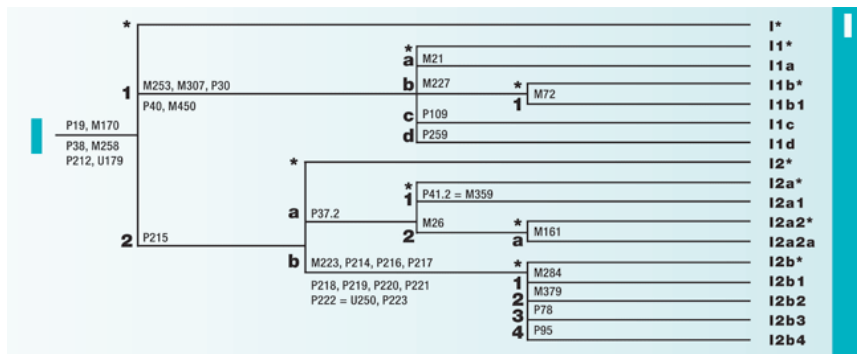
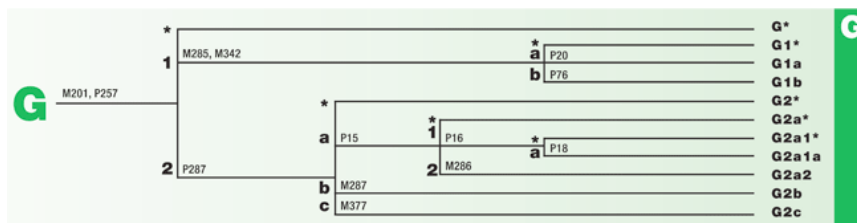
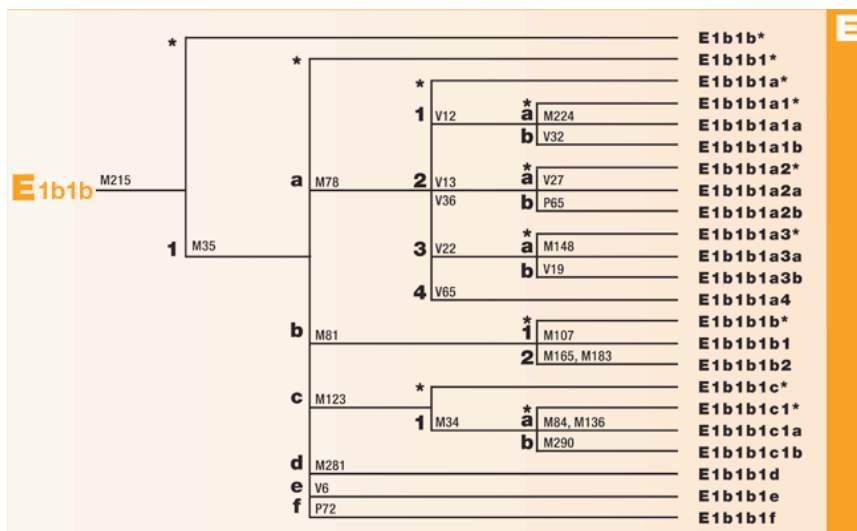
Family Tree DNA now offers its Y-DNA customers Deep Clade tests to determine what branch of their haplogroup they belong to. These Deep Clade tests have been updated with new SNPs and haplogroup branches in the 2008 Y-Chromosome Phylogenetic Tree.

Family Tree DNA provides the most comprehensive Deep Clade testing panels available on the market. These tests are available for haplogroups E1b1b, G, I, J, and R. The tests begin with your haplogroup predict, and then tests whatever SNPs are necessary in order to determine your placement on the haplogroup tree. All SNPs tested will be reported to the customer as they are completed.

The purpose of the Deep Clade test is confirm your haplogroup assignment and determine where your lineage fits within that haplogroup's tree. Some haplogroup branches are found within more specific populations and geographic locations. As research progresses, more geographical specificity associated with SNPs will emerge. For more information about haplogroups, please visit our [Haplogroup FAQ](#).

Scroll down to view the haplogroup trees covered by Deep Clade testing. Prices vary depending on the Deep Clade test. To order a Deep Clade test, log in to your account and proceed to the Haplogroup section. If there is a Deep Clade test available for your haplogroup, the test will automatically be offered to you. If you have already tested your Deep Clade and new SNPs are available which may be informative for you, the applicable upgrade will be offered to you in the Haplogroup section.

Deep Clade for: [Haplogroup E1b1b](#) | [Haplogroup G](#) | [Haplogroup I](#) | [Haplogroup J](#) | [Haplogroup R](#)



Search for your family surname in the largest DNA database in the world:

Equals

Submit



SURNAME VIDEO

Watch and listen to what some of our Surname Project coordinators have to say about how DNA helped in their family research.



ORDER NOW

Are you ready to place an order? Select from one of our numerous testing options and begin to **unlock your past**.



VIEW OUR TEST KITS

Browse through our [list of tests](#) and learn more about the science behind genetics and genealogy.



COMPARE OUR SERVICES

[Learn more](#) about our services what Family Tree DNA can do for you.

